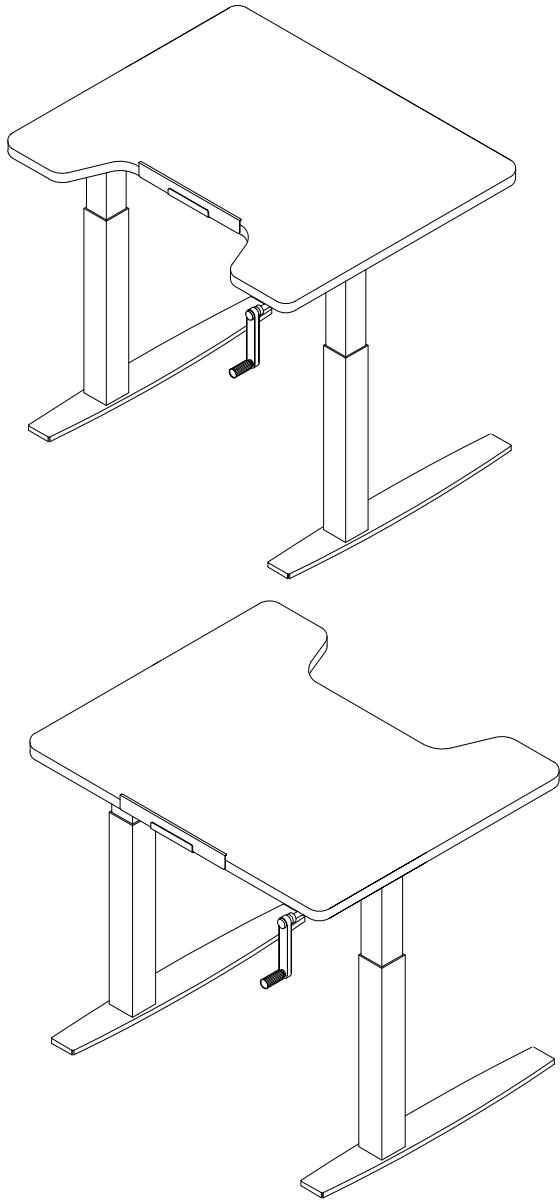




EQUITY SERIES
Comfort Recess Tilt
Computer workstation
with hand-crank adjustment



An ergonomic workstation with a clean modern look, smooth hand-crank adjustment, and variable sit-to-stand height adjustment.

FEATURES:

- Single surface workstation with vertical height adjustment for individual positioning or multi-user environments
- Comfort Recess Available in Front or Back
- Easy to turn hand-crank adjustment
- Hand-crank is positioned under the table and retracts out of the way
- Meets or exceeds ANSI/BIFMA standard, BSR/HFES 100 standard, and ANSI A 117.1 (wheelchair accessibility) standard
- Durable laminate top
- Removable Raised Lip acts as Pencil Stop

TECHNICAL DATA:

- See chart for standard dimensions
- Custom workstation top sizes and finishes available
- Vertical adjustment range 24"-38" or 27"-45", 6 cranks per inch
- Tilts from 0 - 60 Degrees
- Load capacity 225 lbs.
- 14 Gauge Steel for telescoping leg. US Made Plate steel 0.5" thick for feet and support brackets
- Tight tolerances produce a stable adjustment in all positions

MODEL	DIMENSIONS	ADJUSTMENT RANGE "	START / END HEIGHT "	LEG SPAN
EQ 3630 CRT	36" X 30"	14 or 18	24-38 or 27-45	30"
EQ 4830 CRT	48" X 30"	14 or 18	24-38 or 27-45	38"

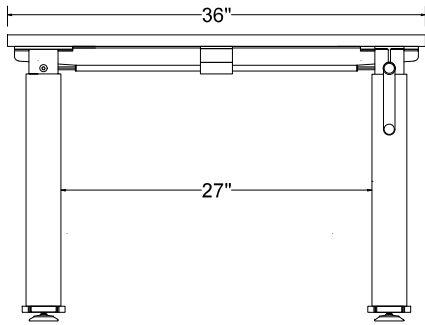




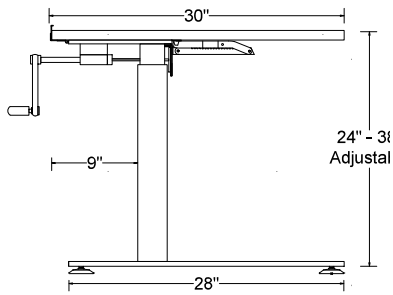
POPULAS
furniture by AD·AS

EQUITY SERIES
Comfort Recess Tilt
Dimensions

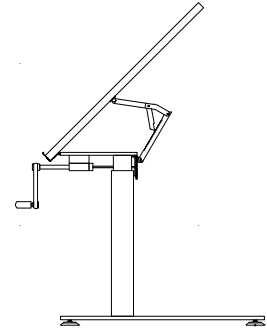
EQ 3630 CRT



Front View

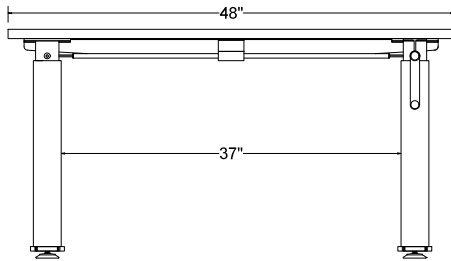


Side View

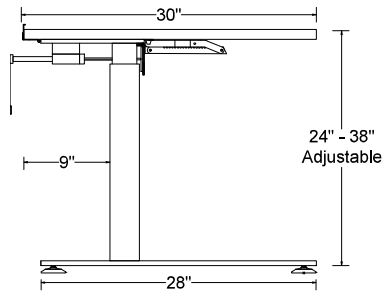


Side View

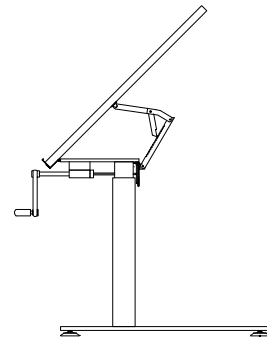
EQ 4830 CRT



Front View



Side View



Side View



POPULAS
furniture by AD·AS

EQUITY SERIES
Comfort Recess Tilt
Dimensions