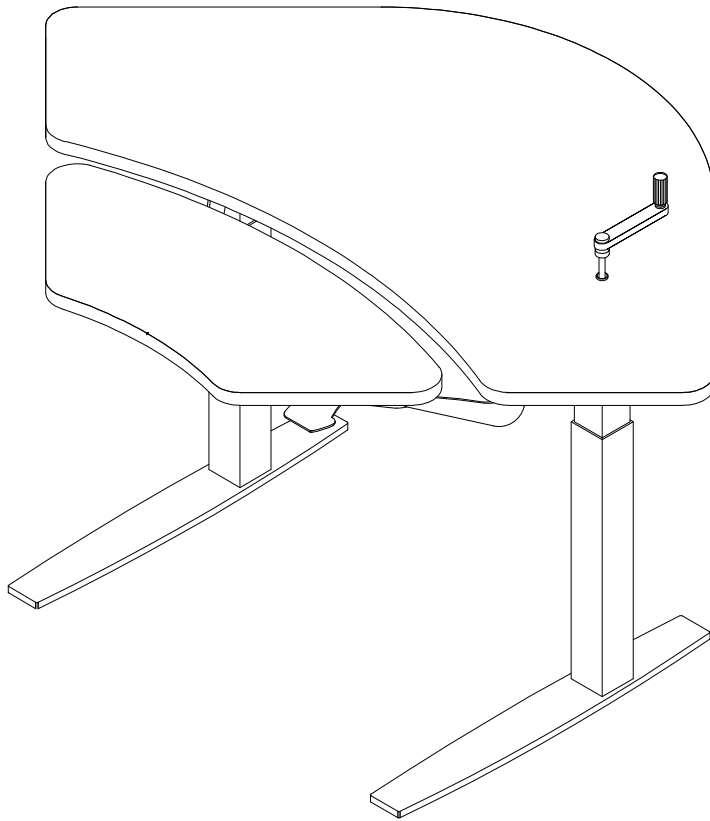




POPULAS
furniture by AD·AS

**EQUITY SERIES
CORNER BI-LEVEL WITH
KEYBOARD LIFT**

*Bi-level workstation
with hand-crank adjustment*



An ergonomic workstation with a clean modern look, smooth hand-crank adjustment, and variable sit-to-stand height adjustment.

FEATURES:

- Front and rear worksurfaces adjust independently for optimal ergonomics, individual positioning, or multi-user environments
- Lift-N-Lock front surface.
- Top crank actuated for rear work surface with under work surface handle storage
- Durable laminate top

TECHNICAL DATA:

- Standard dimensions: 59" X 42"
- Front surface adjustment range 20"-45" (4" below, 7" above rear surface), with 15' +/- tilt
- Vertical adjustment range 24"-38" or 27-45, 6 cranks per inch
- Load Capacity 225 lbs. rear surface
- Load Capacity 50 lbs. front surface
- 14 Gauge Steel for telescoping leg. US Made Plate steel 0.5" thick for feet and support brackets
- Tight tolerances produce a stable adjustment in all positions

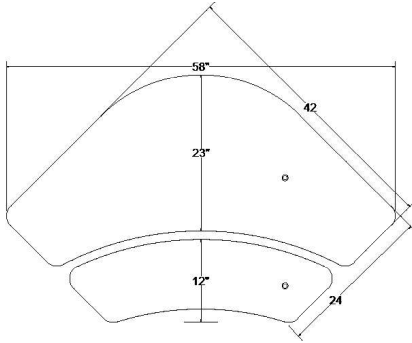
MODEL	FRONT/REAR DIMENSIONS	OVERALL DIMENSIONS	ADJUSTMENT RANGE "	START / END HEIGHT "	LEG SPAN
EQ 422458 CKBL	42" X 24" X 58"	59" X 42"	14 or 18	24-38 or 27-45	22"
EQ 423058 CKBL	42" X 30" X 58"	59" X 42"	14 or 18	24-38 or 27-45	27"
EQ 482466 CKBL	48" X 24" X 66"	66" X 48"	14 or 18	24-38 or 27-45	30"
EQ 483066 CKBL	48" X 30" X 66"	66" X 48"	14 or 18	24-38 or 27-45	37"



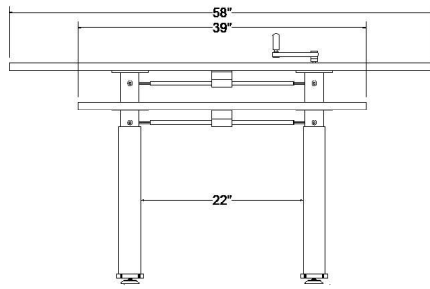


**EQUITY SERIES
CORNER BI-LEVEL WITH
KEYBOARD LIFT**
Dimensions

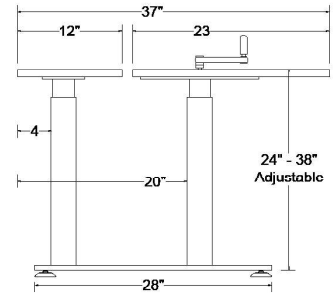
EQ 422458 CKBL



Top View

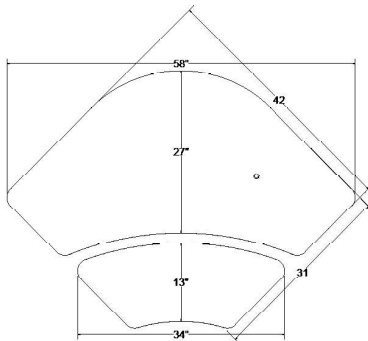


Front View

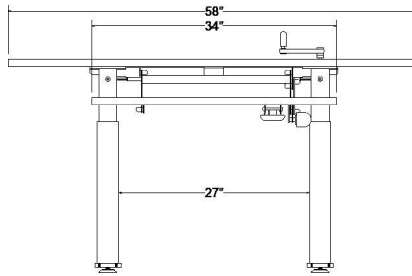


Side View

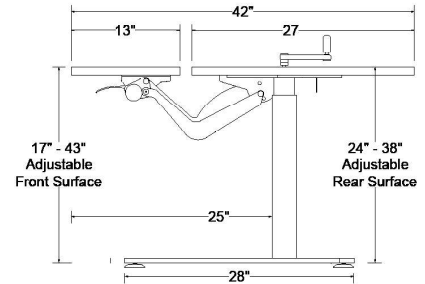
EQ 423058 CKBL



Top View

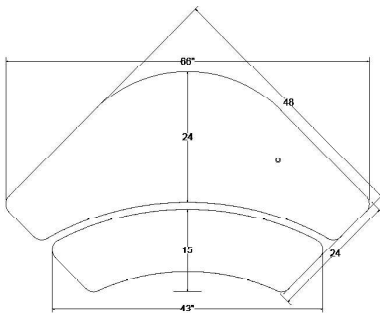


Front View

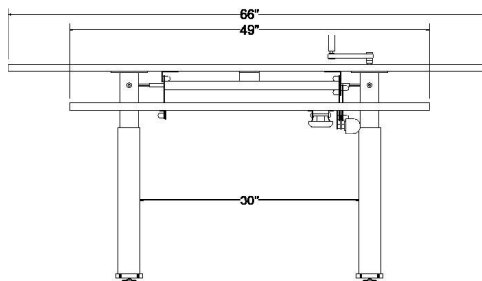


Side View

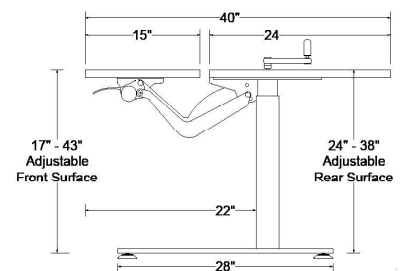
EQ 482466 CKBL



Top View



Front View



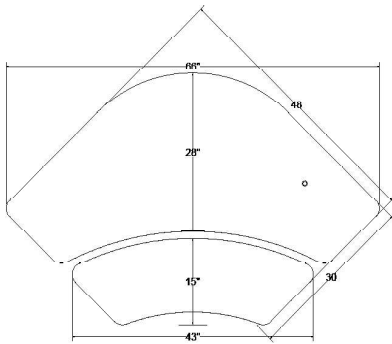
Side View



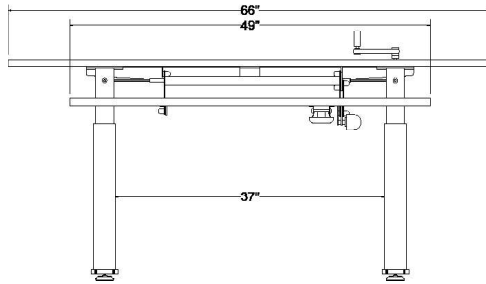
POPULAS
furniture by AD·AS

**EQUITY SERIES
CORNER BI-LEVEL WITH
KEYBOARD LIFT**
Dimensions

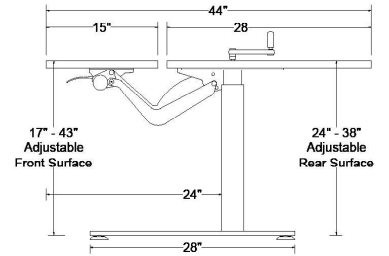
EQ 483066 CKBL



Top View



Front View



Side View