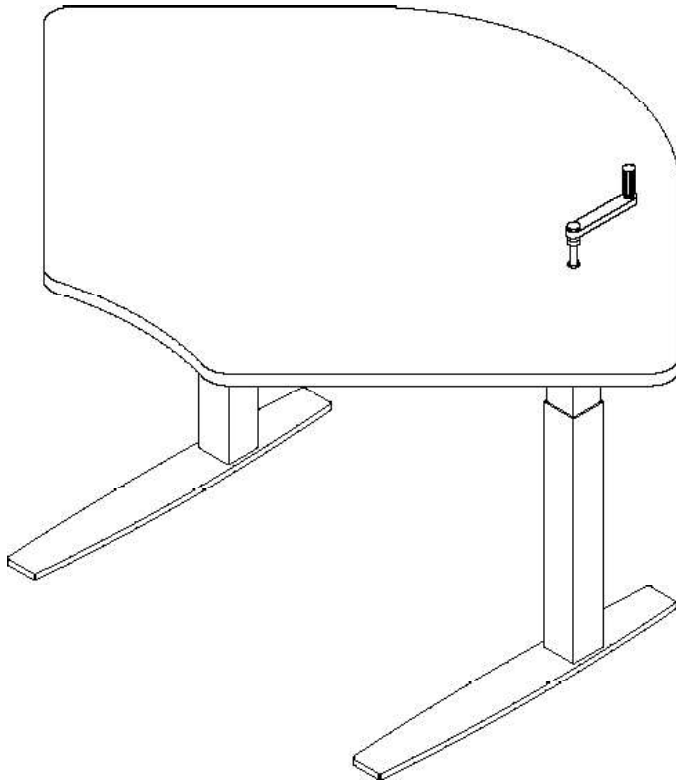




**POPULAS**  
furniture by AD·AS

**EQUITY SERIES  
CORNER OFFICE TOP CRANK**

*Computer workstation  
with hand-crank adjustment*



**An ergonomic workstation with a clean modern look, smooth hand-crank adjustment, and variable sit-to-stand height adjustment.**

**FEATURES:**

- Single surface workstation with vertical height adjustment for individual positioning or multi-user environments
- Easy to turn hand-crank adjustment
- Top crank is positioned on the worksurface, right side
- Convenient corner design to maximize usable surface
- Meets or exceeds ANSI/BIFMA standard, BSR/HFES 100 standard, and ANSI A 117.1 (wheelchair accessibility) standard
- Durable laminate top

**TECHNICAL DATA:**

- See chart for standard dimensions
- Custom workstation top sizes and finishes available
- Vertical adjustment range 24"-38" or 27-45, 6 cranks per inch
- Load Capacity 225 lbs.
- 14 Guage Steel for telescoping leg. US Made Plate steel 0.5" thick for feet and support brackets
- Tight tolerances produce a stable adjustment in all positions

MODEL	DIMENSIONS	ADJUSTMENT RANGE "	START / END HEIGHT "	LEG SPAN
EQ 422458 TC	42" X 24" X 58"	14 or 18	24-38 or 27-45	27"
EQ 423058 TC	42" X 30" X 58"	14 or 18	24-38 or 27-45	27"
EQ 482466 TC	48" X 24" X 66"	14 or 18	24-38 or 27-45	37"
EQ 483066 TC	48" X 30" X 66"	14 or 18	24-38 or 27-45	37"

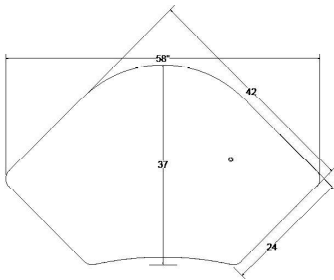




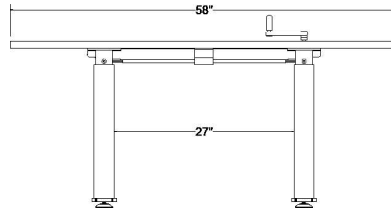
**POPULAS**  
furniture by AD·AS

**EQUITY SERIES**  
**CORNER OFFICE TOP CRANK**  
Dimensions

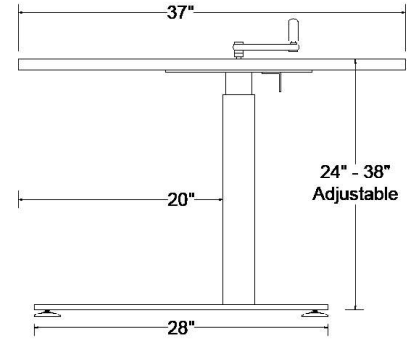
**EQ 422458 TC**



Top View

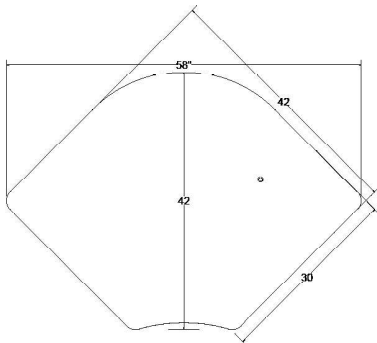


Front View

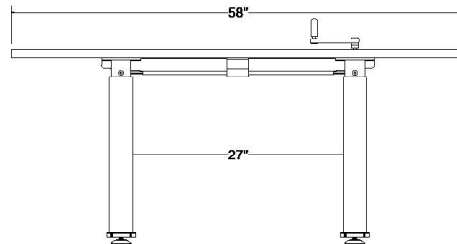


Side View

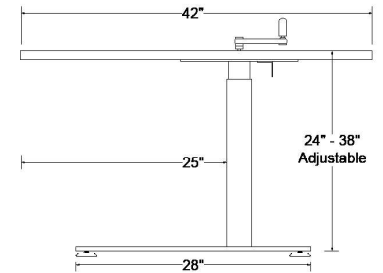
**EQ 423058 TC**



Top View

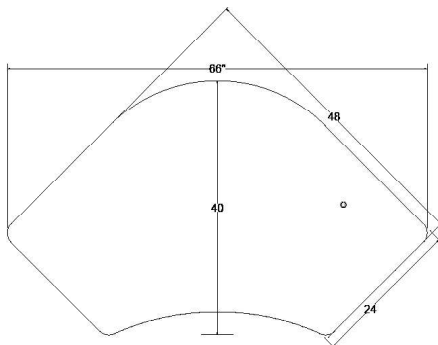


Front View

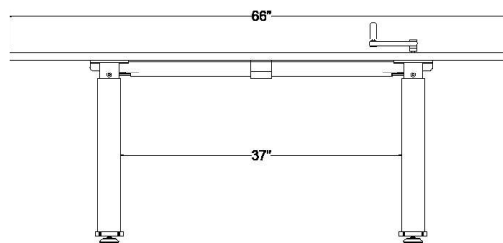


Side View

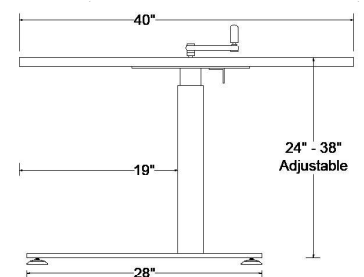
**EQ 482466 TC**



Top View



Front View



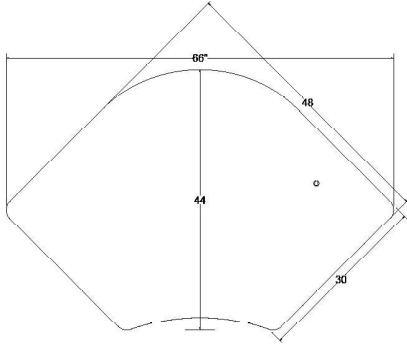
Side View



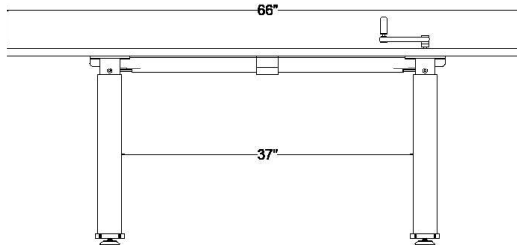
**POPULAS**  
*furniture by AD·AS*

**EQUITY SERIES  
CORNER OFFICE TOP CRANK**  
*Dimensions*

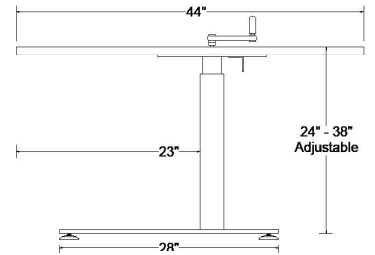
EQ 483066 TC



Top View



Front View



Side View