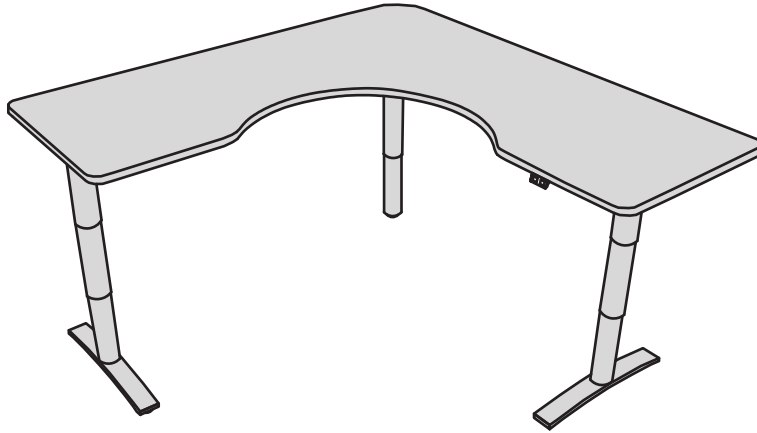


TECHNICAL SPECIFICATIONS



POPULAS
furniture by AD·AS

VOX™ WRAP CORNER Electric, height adjustable L-shape desk



Computer workstation features smooth, quiet motorized adjustment with extra-low and extra-high height range. The Vox™ series is designed without a cross brace enabling maximum knee space.

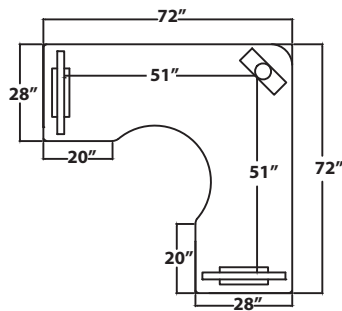
FEATURES:

- L-shaped desk with vertical adjustment for individual positioning or multi-user environment
- Single Surface with surround style recess
- Push-button motorized adjustment throughout the specified range
- Push-button controls can be mounted on either side of table
- Durable laminate top or real wood veneer

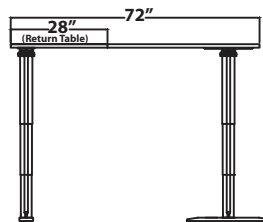
TECHNICAL DATA:

- Standard table dimensions: 72" x 72" x 28"; 72" x 72" x 24"; 60" x 60" x 28"; 60" x 60" x 24"
- Vertical adjustment range 24"- 50"
- System operates on standard 110V, electric motor UL listed
- Extruded aluminum telescoping legs
- Base finish Graphite Silver
- Load capacity 450 lbs

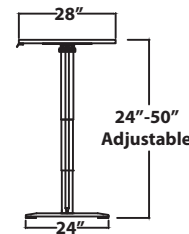
MODEL	DIMENSIONS	ADJUSTMENT RANGE	START/END HEIGHT	LEG SPAN
VX 606030 WC	60" x 60" x 28"	26"	24", 50"	40"
VX 727230 WC	72" x 72" x 28"	26"	24", 50"	51"
VX 606024 WC	60" x 60" x 24"	26"	24", 50"	40"
VX 727224 WC	72" x 72" x 24"	26"	24", 50"	51"



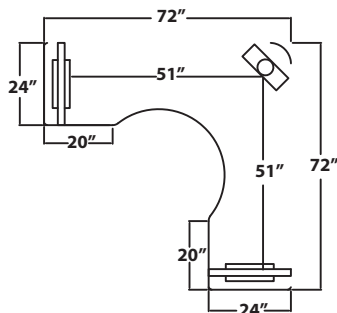
Top View



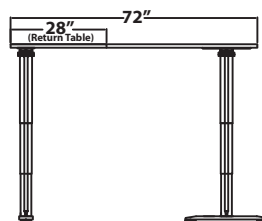
Front View



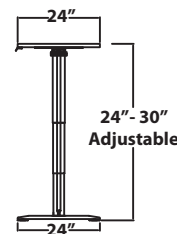
Side View



Top View



Front View



Side View