

ASSEMBLY INSTRUCTIONS



INFINITY Workstations, desks, and tables with powered adjustment

PARTS INCLUDED:

LEG PACKAGE:

- A** (2) Telescoping Legs
- B** (1) Motor Assembly
- C** (1) Control Box
- D** (1) Control Switch
- E** (2) Feet
- F** (4) Toe Caps
- G** (2) Table Support Brace
(1) Hardware bag

TABLE PACKAGE:

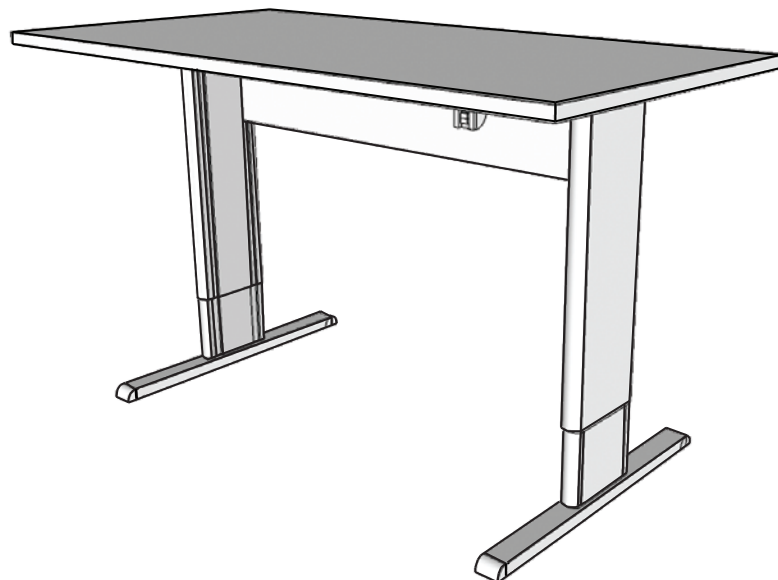
- H** (1) Cross Brace
- I** (1) Table Top

TOOLS NEEDED:

- Phillips Screwdriver
- Pliers or Snap Ring Pliers
- 7/16" Wrench
- 1/2" Socket Wrench

HARDWARE BAG WITH:

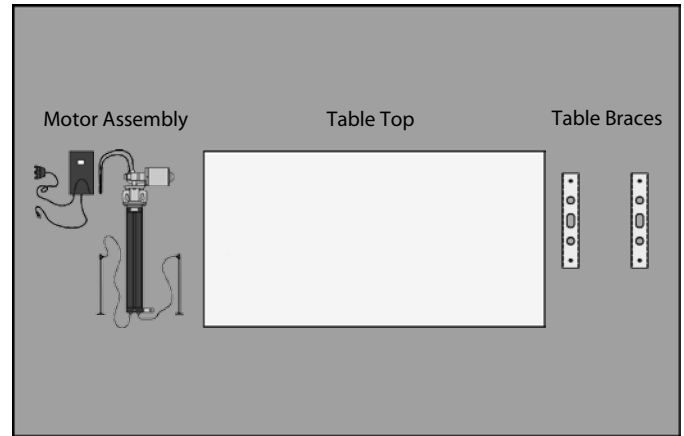
J (2) 1/2" Retaining Rings		Q (19) #6 x 1/2" Phillips Fasteners	
K (8) 5/16"-18 x1" Hex Head Fasteners		R (2) 1/4"-20 x 2" Hex Head Cap Fasteners	
L (8) 5/16" Spring Washers		S (2) Curved Connector Caps	
M (4) 1/4" x1" Hex Head Lag Fasteners		T (2) 1/4"- 20 Nylon Insert Stop Nuts	
N (4) 1/4" Spring Washers		U (2) Connector Plates	
O (6) #10 x 1" Phillips Fasteners		V (4) Levelers (Or Optional Casters)	
P (19) Clamps: (13 Small, 6 Large)			



Step 1: Preparation

Unpack and identify all parts. Place Table Top (I) upside down on padded surface and identify front edge.

 **Be careful not to damage the hydraulic hose**



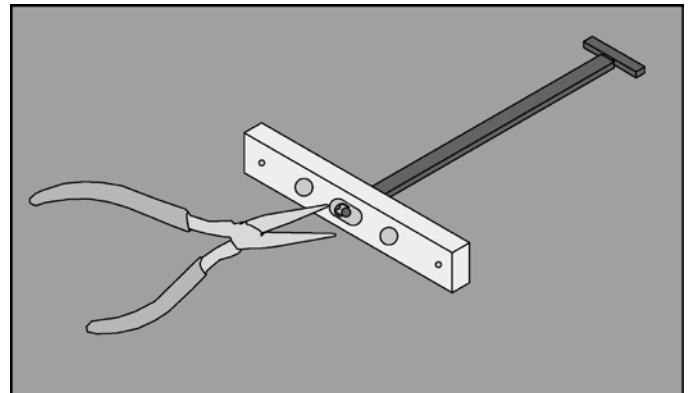
Step 2: Piston Attachment

Insert hydraulic piston into center hole of Table Support Brace (G) with piston top recessed inside brace. Secure with 1/2" Retaining Ring (J), using pliers to snap 1/2" Retaining Ring into piston groove. Repeat for second piston. Snap ring pliers and snap rings can be used.

Snap ring pliers



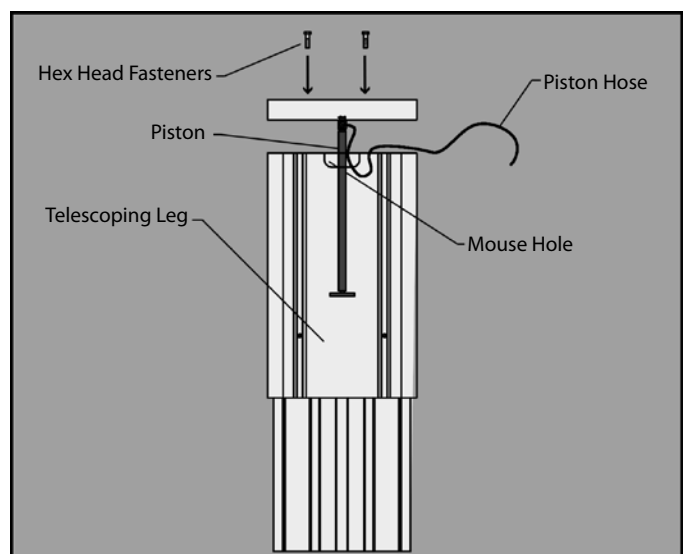
Snap rings



Step 3: Telescoping Leg Attachment

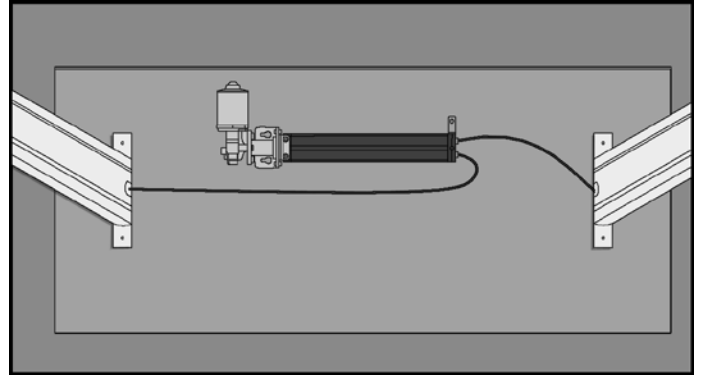
Insert piston foot into center of Telescoping Leg (A). Piston hose port must route through "mouse hole" of Telescoping Leg (A). Align Telescoping Leg (A) with hose port facing center. Attach using two 5/16"-18 x 1" Hex Head Fasteners (O) and 5/16" Spring Washers (P). Tighten using a 1/2" socket wrench.

 **Keep hose routed through mouse hole to avoid pinch points**



Step 4: Motor Assembly Positioning

Place Motor Assembly (B) on table as shown.

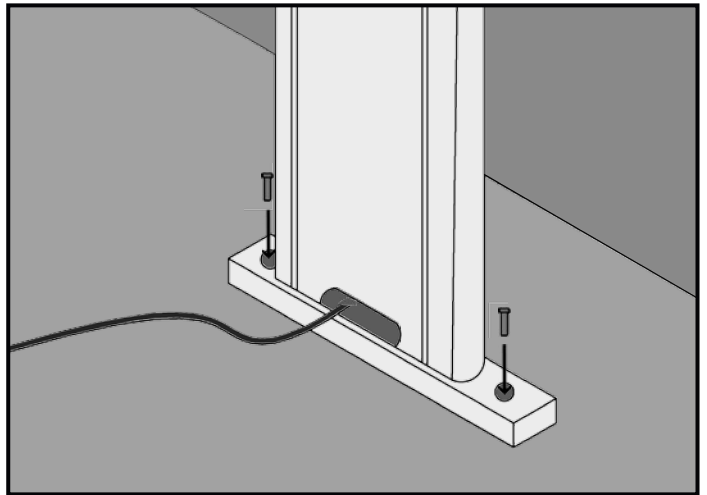


Step 5: Table Support Brace Attachment

Place Table Support Brace (G) and Motor Assembly (B) on underside of table. Locate four guide holes for Motor Assembly (B). Position Telescoping Leg with shorter hose (A, right) Align Table Support Brace (G) to guide holes and attach using four 1/4" x 1" Hex Head Lag Fasteners (M) and 1/4" Spring Washers (N). Tighten using 7/16" socket wrench.

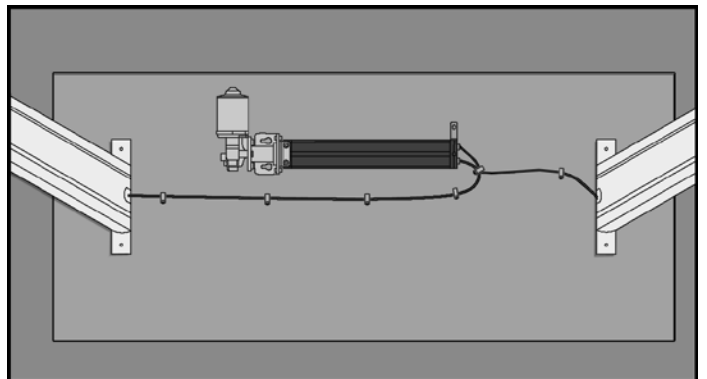
 **Slotted groove on telescoping legs face in**

 **Do not over-tighten or strip**



Step 6: Motor Attachment

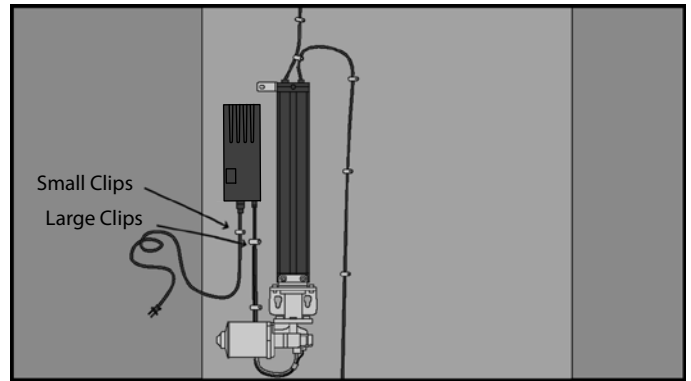
Align Motor Assembly (B) to four pre-drilled holes and attach using four #10 x 1" Phillips Fasteners (O). Route hoses through Small Clamps (P) in pattern shown, and secure using #6 x 1/2" Phillips Fasteners (Q).



Step 7: Control Box Attachment and Motor Placement

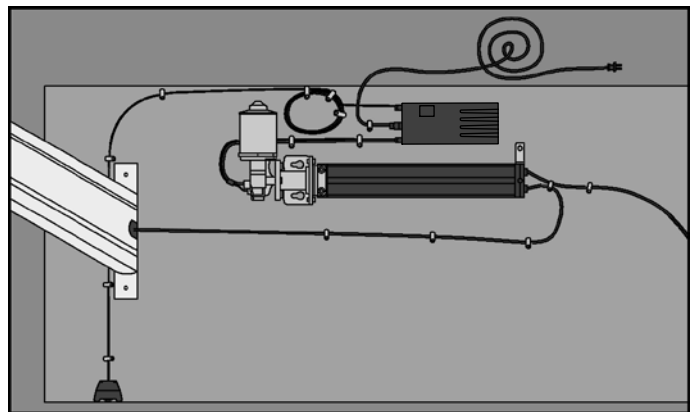
Align Control Box (C) with pre-drilled holes and attach to the table (number side down) using two #10 x 1" Phillips Fasteners (O).

Plug motor wire into Control Box (C). Secure wires with two Large Clamps (P) using #6 x 1/2" Phillips Fasteners (Q). Plug power wire into Control Box (C). Secure one Small Clamp (P) (for strain relief) using #6 x 1/2" Phillips fasteners (Q).



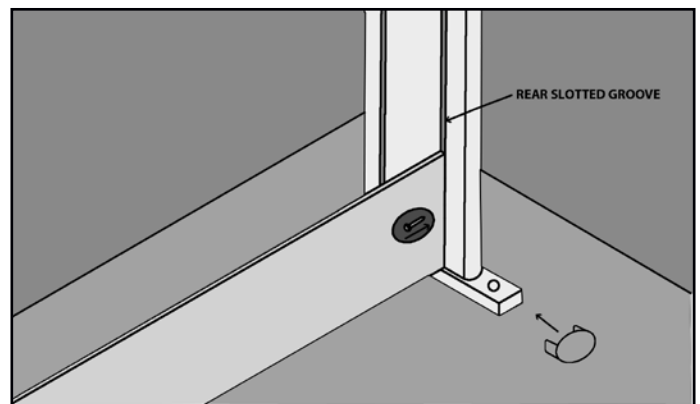
Step 8: Control Switch Attachment

Attach Control Switch (D) to pre-drilled location using enclosed Fasteners. Control Switch (D) may be positioned elsewhere depending upon preference. Secure wire with Small Clamps (P) and #6 x 1/2" Phillips Fasteners (Q). Insert Control Switch (D) plug into Control Box. Coil the wire and secure with four Large Clamps (P) using #6 x 1/2" Phillips Fasteners (Q).



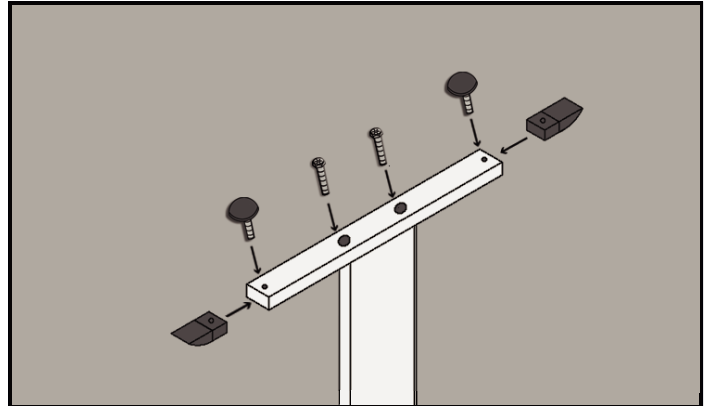
Step 9: Cross Brace Attachment

Hardware is shipped attached. Insert 1/4"-20 x 2" Hex Head Fasteners (R) into rear slotted groove of Telescoping Leg (A). Level Cross Brace (H) below top of Telescoping Leg. Tighten using 7/16" wrench. Cover connector hardware with Connector Cap (S).



Step 10: Feet Attachment

Attach Feet (E) to Telescoping Legs (A) using two 5/16"-18 x 1" Hex Head Fasteners (K) and 5/16" Spring Washers (L) tighten using 1/2" socket wrench. Gently insert Toe Caps (F) into feet until nut aligns with hole. Attach Levelers (V) or optional casters to threaded Toe Cap (F).



Step 11: Operation And Use

Gently turn table over and adjust levelers if required. Table adjusts up and down using the control switch. Clean with soft cloth and mild cleaners suitable for furniture.