

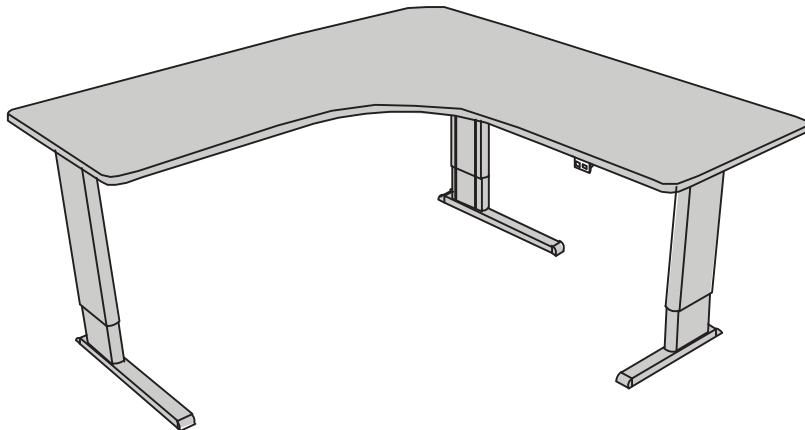
TECHNICAL SPECIFICATIONS



POPULAS
furniture by AD·AS

INFINITY PERFECT CORNER Motorized, height adjustable L-shape desk

Innovative L-shape desk with a generous surface area and smooth, quiet, motorized adjustment.



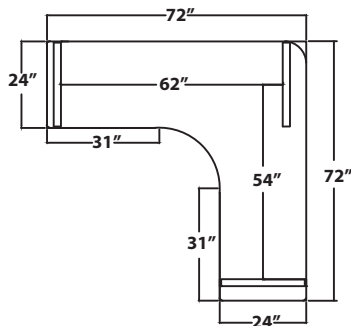
FEATURES:

- L-shaped desk with vertical adjustment for individual positioning or multi-user environment
- Push-button motorized adjustment throughout the specified range
- Push-button controls can be mounted on either side of table
- Durable laminate top or real wood veneer

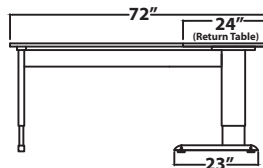
TECHNICAL DATA:

- Standard table dimensions: 72" X 72" X 28"; 72" X 72" X 24"
- Vertical adjustment range 27"- 39"
- System operates on standard 110V, electric motor UL listed
- Extruded aluminum telescoping legs
- Base finish Graphite Silver
- Load capacity 450 lbs

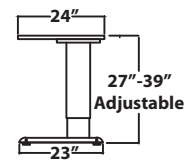
MODEL	DIMENSIONS	ADJUSTMENT RANGE	START/END HEIGHT	LEG SPAN
IN 727224 PC	72" X 72" X 24"	12"	27", 39"	Main, 62" Return, 54"
IN 727230 PC	72" X 72" X 28"	12"	27", 39"	Main, 62" Return, 54"



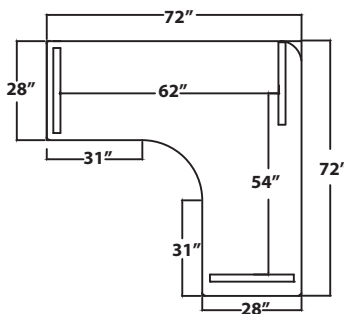
Top View



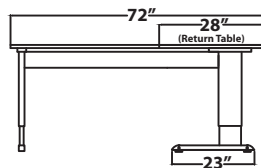
Front View



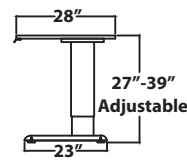
Side View



Top View



Front View



Side View