

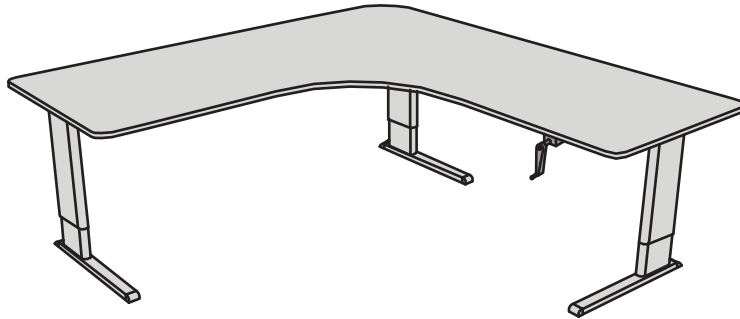
TECHNICAL SPECIFICATIONS



POPULAS
furniture by AD·AS

ACCELLA PERFECT CORNER Hand-crank, height adjustable L-shape desk

Innovative L-shape desk with a generous surface area and smooth, quiet, hand-crank adjustment.



FEATURES:

- L-shaped desk with vertical adjustment for individual positioning or multi-user environment
- Smooth hand-crank adjustment throughout the specified range
- Discreet fold-away crank can be mounted on either side of table
- Durable laminate top or real wood veneer

TECHNICAL DATA:

- Standard table dimensions: 72" X 72" X 28"; 72" X 72" X 24"
- Vertical adjustment range 27"- 39"
- Hydraulic hand-crank , actuated 5 turns per inch
- Extruded aluminum telescoping legs
- Base finish Graphite Silver
- Load capacity 450 lbs

MODEL	DIMENSIONS	ADJUSTMENT RANGE	START/END HEIGHT	LEG SPAN
AC 727224 PC	72" X 72" X 24"	12"	27", 39"	Main, 62" Return, 54"
AC 727230 PC	72" X 72" X 28"	12"	27", 39"	Main, 62" Return, 54"

