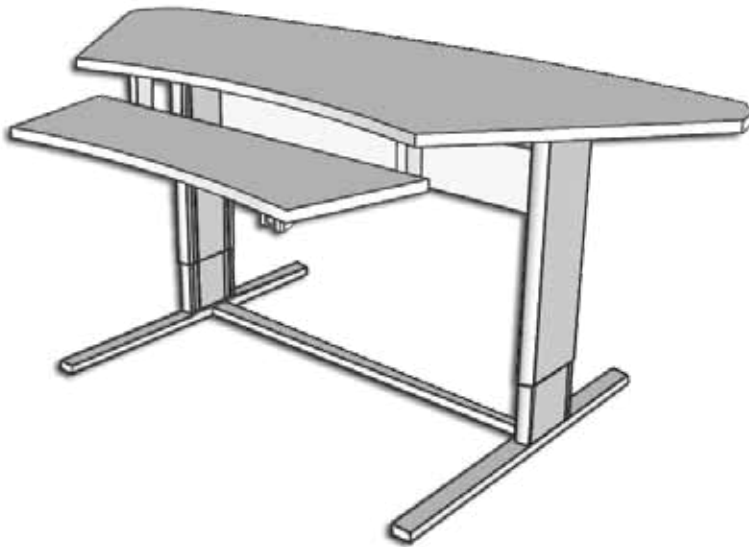




POPULAS
furniture by AD·AS

INFINITY COMMAND CENTER

Motorized, bi-level console table with height adjustment



A "person-centered" design that offers a safe, comfortable, workspace for any occupation that is computer intensive.

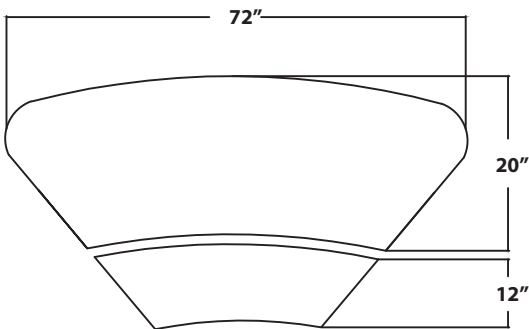
FEATURES:

- Dual surface workstation with vertical height adjustment for individual positioning or multiple user environments
- Push-button powered rear surface, Lift-N-Lock front surface
- Convenient curved design to maximize usable space
- Push-button controls can be mounted on either side
- Infinite height adjustment throughout the specified range
- Durable laminate top

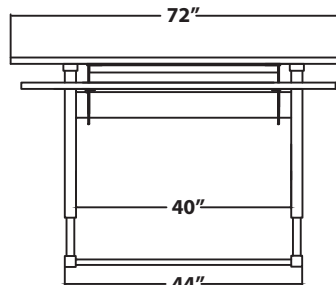
TECHNICAL DATA:

- Standard table dimensions: 72" x 39"
- Powered rear surface vertical adjustment range 27"-39"
- Front surface adjustment range 23" - 46" (4" below to 7" above rear surface)
- Front surface load 50 lbs.
- Rear surface load 500 lbs
- System operates on standard 110V
- Extruded aluminum telescoping legs
- Base finish Graphite Silver

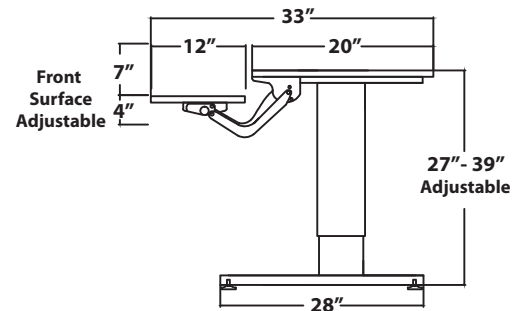
MODEL	DIMENSIONS	ADJUSTMENT RANGE	START/END HEIGHT	LEG SPAN
IN CC	72" X 33"	12"	27", 39"	40"



Top View



Front View



Side View