



**POPULAS**  
furniture by AD·AS

**KA-3630**  
Personal worktable



Personal adjustable tilting worktable provides adjustability for individual positioning or multi-user environments.

**FEATURES:**

- Standard tabletop construction with durable laminate finish and vinyl edge
- Steel column with durable powder coat finish
- Custom designed extruded metal columns provide precision movement for fast, simple knob-adjustment
- 4 adjustable base levelers
- Adjustable pencil stop

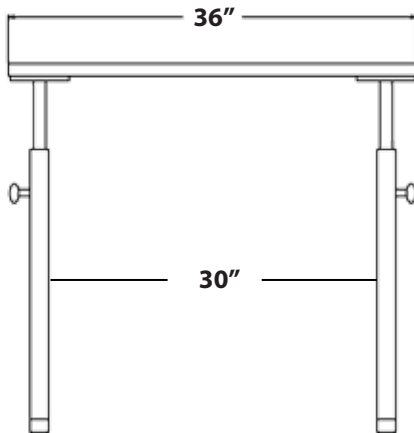
**TECHNICAL DATA:**

- Standard table dimensions: 36" x 30"
- Vertical adjustment capability: 10"
- Standard base color: Almond, or Graphite Silver

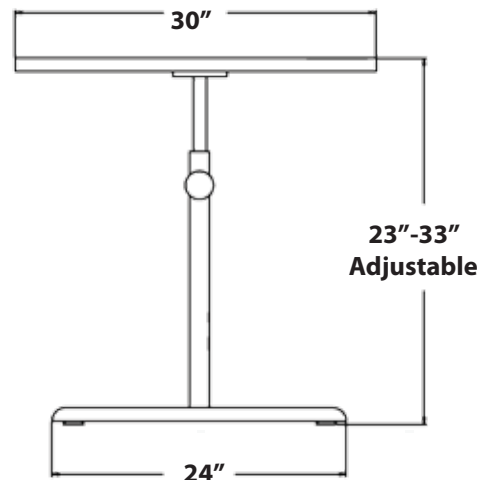
**OPTIONAL ACCESSORIES:**

- ADA signage
- Casters for mobility

MODEL	DIMENSIONS	ADJUSTMENT RANGE	START/END HEIGHT	LEG SPAN
KA-3630	36" X 30"	10"	23", 33"	30"



**Front View**



**Side View**