



KA-3316
Hand therapy table



Hand therapy table provides adjustability for individual positioning or multi-user environments.

FEATURES:

- Standard tabletop construction with durable laminate finish and vinyl edge
- Steel column with durable powder coat finish
- Custom designed extruded metal columns provide precision movement for fast, simple knob-adjustment
- 4 adjustable base levelers

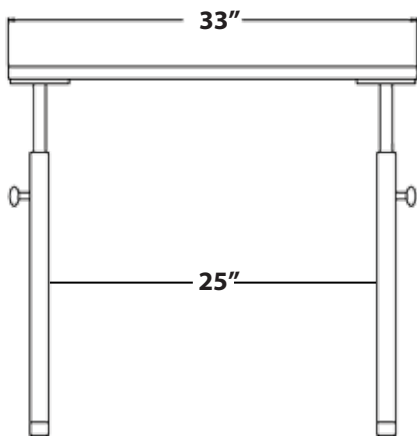
TECHNICAL DATA:

- Standard table dimensions: 33" x 16"
- Vertical adjustment capability: 10"
- Standard base color: Almond or Graphite Silver

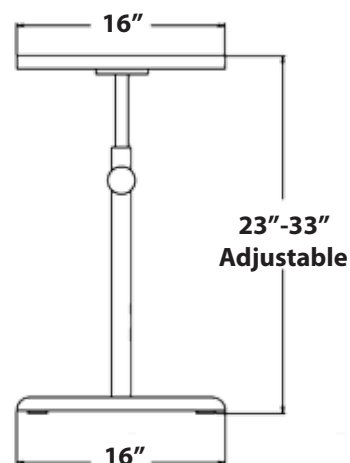
OPTIONAL ACCESSORIES:

- Casters for mobility

MODEL	DIMENSIONS	ADJUSTMENT RANGE	START/END HEIGHT	LEG SPAN
KA-3316	33" X 16"	10"	23", 33"	25"



Front View



Side View