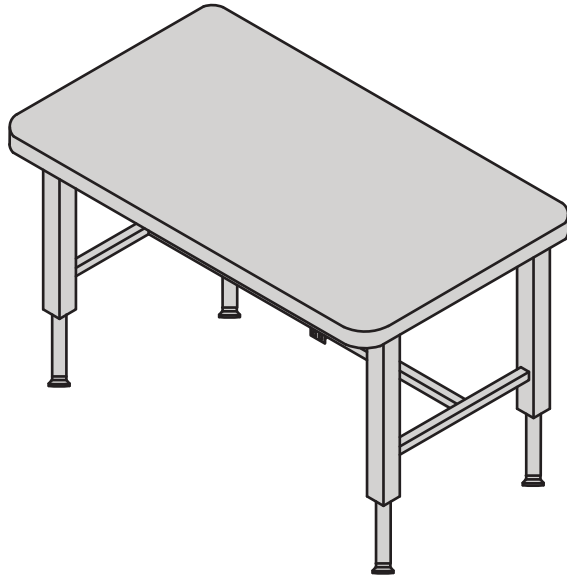




POPULAS
furniture by AD·AS

INFINITY TREATMENT TABLE

Motorized, height adjustable treatment table



Hi-Lo treatment table height adjusts with the push of a button providing the appropriate height for comfortable treatment.

FEATURES:

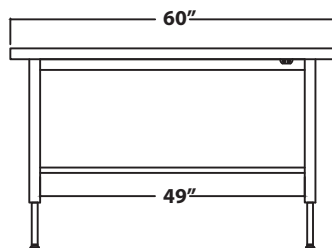
- Sturdy four leg H-brace table with vertical height adjustment capability
- Durable 2" polyurethane foam and anti-microbial vinyl cover
- Push-button motorized operation, controls can be mounted on either side
- Infinite height adjustment throughout the specified range
- Optional bolt down leg glides

TECHNICAL DATA:

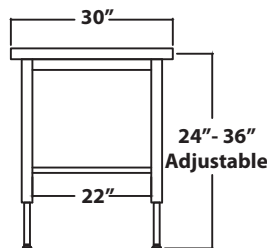
- See chart for standard dimensions
- Custom top sizes
- Vertical adjustment range 24" - 36"
- Motorized hydraulic system provides movement
- Plugs into standard electrical outlet
- Operates on 110 VAC, 1.6 amps, 50/60 htz
- Switch voltage 5 VDC
- Steel powder coated legs and apron
- Load capacity 500 lbs
- Base finish Graphite Silver

MODEL	DIMENSIONS	ADJUSTMENT RANGE	START/END HEIGHT	LEG SPAN
IN 6030 TT	60" X 30"	8"	24", 26"	49"
IN 8436 TT	84" X 36"	12"	24", 36"	73"

IN 6030 TT

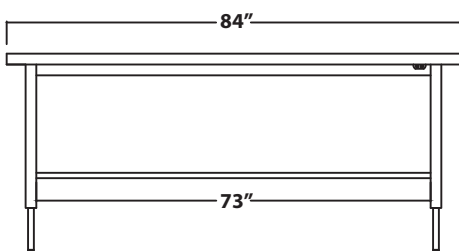


Front View

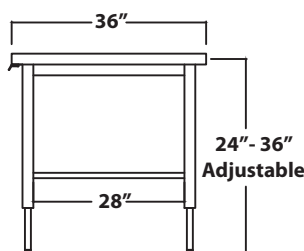


Side View

IN 8436 TT



Front View



Side View