



**POPULAS**  
furniture by AD·AS

## INFINITY TWO STORY

Motorized, bi-level height adjustable workstation

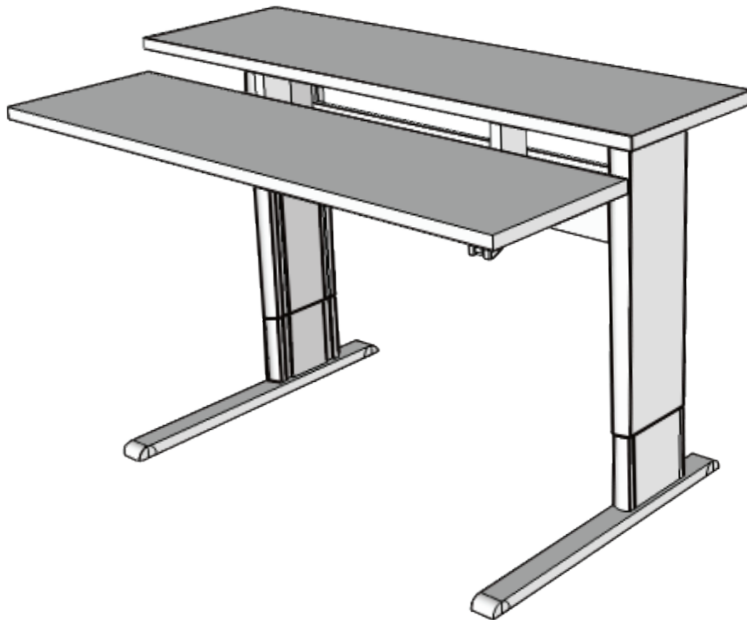
Sit-to-stand workstations and desks bring the desirable convenience of powered adjustment to everyone.

**FEATURES:**

- Dual surface workstation with vertical height adjustment for individual positioning or multiple user environments
- Push-button powered rear surface, Lift-N-Lock front surface
- Push-button controls mount on either side
- Infinite height adjustment throughout the specified range
- Durable laminate top

**TECHNICAL DATA:**

- See chart for standard dimensions
- Powered rear surface vertical adjustment range 27" - 39"
- Front surface adjustment range 23" - 46" (4" below, 7" above rear surface), with 15° +/- tilt
- Front surface load 50 lbs
- Rear surface load 500 lbs
- System operates on standard 110V, electric motor UL listed
- Extruded aluminum telescoping legs
- Base finish Graphite Silver



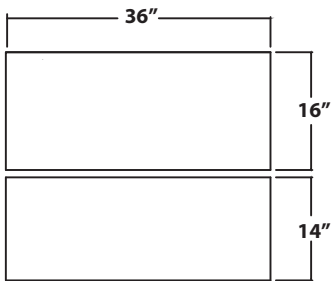
MODEL	FRONT/REAR DIMENSION	OVERALL DIMENSIONS	ADJUSTMENT RANGE	REAR START/END HEIGHT	LEG SPAN
IN 361416 BL	36" X 14" 36" X 16"	36" X 31"	12"	27", 39"	28"
IN 481416 BL	48" X 14" 48" X 16"	48" X 31"	12"	27", 39"	32"
IN 601416 BL	60" X 14" 60" X 16"	60" X 31"	12"	27", 39"	46"



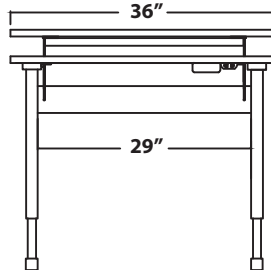
**POPULAS**  
furniture by AD·AS

**INFINITY TWO STORY**  
Dimension page

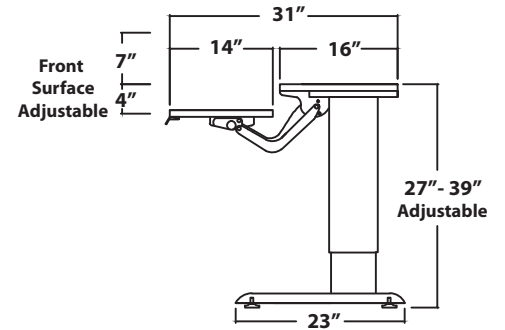
IN 3630 BL



Top View

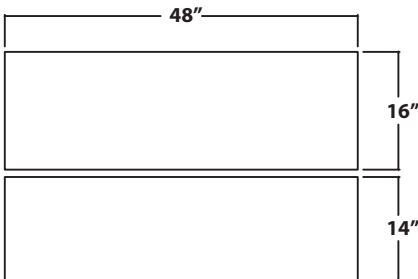


Front View

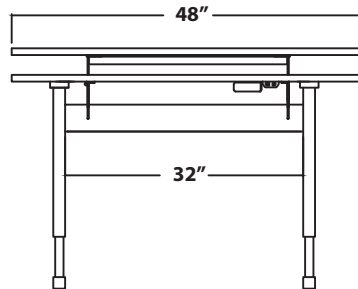


Side View

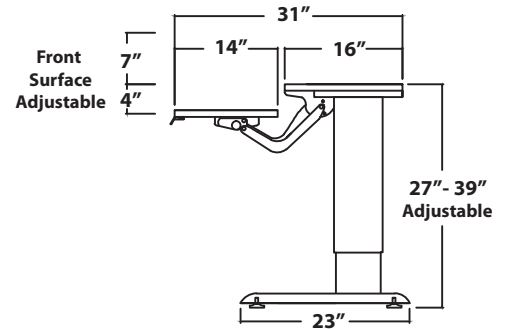
IN 4830 BL



Top View

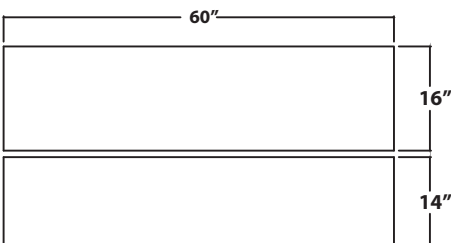


Front View

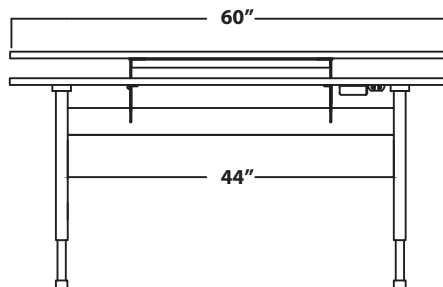


Side View

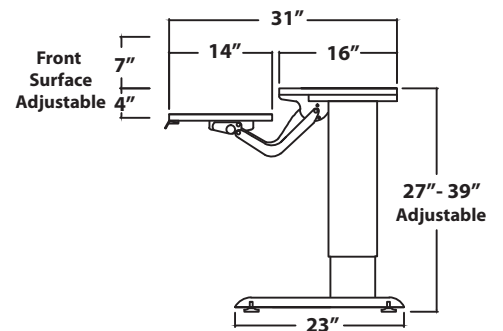
IN 6030 BL



Top View



Front View



Side View