



POPULAS
furniture by AD·AS

INFINITY COMMAND CENTER 6040CR
Surround-view workstation with powered adjustment

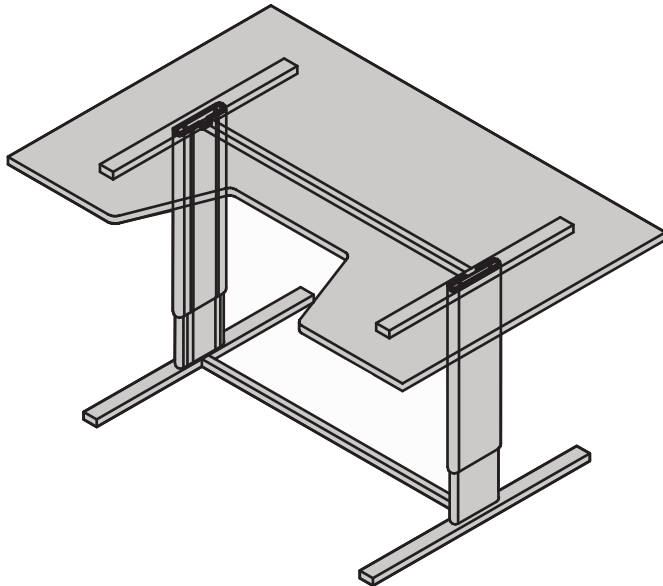
Expansive worksurface with a comfort recess creates a surround-view for applications such as Radiology reading or PACS tables.

FEATURES:

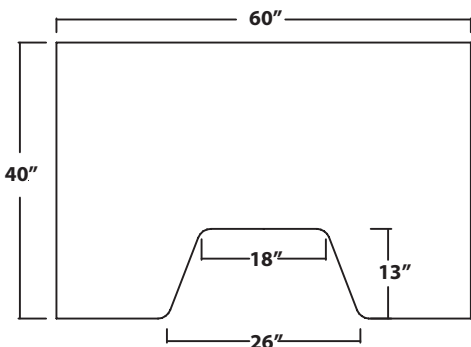
- Single surface height adjustment for individual positioning or multi-user environment
- Smooth, quiet, motorized adjustment facilitates sit-to-stand functionality
- Push-button powered adjustment, controls can be mounted on either side of table
- Infinite height adjustment throughout the specified range
- Durable laminate top or real wood veneer

TECHNICAL DATA:

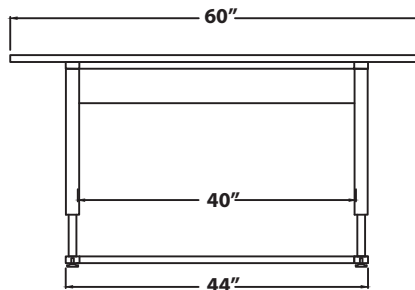
- Standard table dimensions: 60" x 40"
- Vertical adjustment range 27" - 39"
- System operates on standard 110V
- Motor is UL listed
- Weight capacity 500 lbs
- Adjustable tension legs for varying weight loads
- Front edge weight capacity with less than 0.19" inch of deflection: 250 lbs
- Extruded aluminum telescoping legs
- Base Finish Graphite Silver



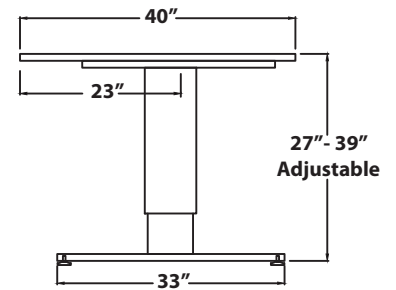
MODEL	DIMENSIONS	ADJUSTMENT RANGE	START/END HEIGHT	LEG SPAN
IN CC 6040CR	60" X 40"	12"	27", 39"	40"



Top View



Front View



Side View