



POPULAS
furniture by AD·AS

SMALL FLOAT TABLE

Round, height adjustable table



Height adjustable table provides simple, smooth, adjustability for individual positioning or multi-user environments.

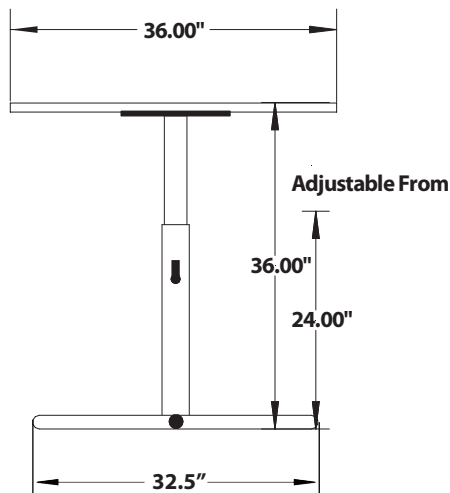
FEATURES:

- Standard tabletop construction with durable laminate finish over 1" core and vinyl edge banding
- 2.75" - 13 gauge cold rolled steel inner column
- 3" - 13 gauge cold rolled steel outer column
- Easy to use lever style column lock
- Internal gas assist spring
- 4 adjustable base levelers
- 12" - 7 gauge mounting plate

TECHNICAL DATA:

- Standard table dimension: 36" diameter
- Vertical adjustment range 24" - 36"
- Base finish: Almond

MODEL	DIMENSIONS	ADJUSTMENT RANGE	START/END HEIGHT
GPP-360	36" Diameter	12"	24", 36"



Front View